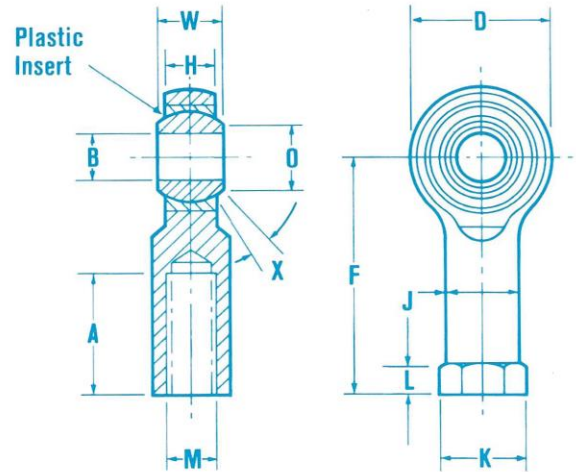


# RFP series female thread



## Specification

<b>Housing</b>	Mild steel. Phosphated.
<b>Ball</b>	1% carbon chromium steel. Chromium plated on spherical surface.
<b>Liner</b>	Plastic – acetal copolymer.
<b>Temperature</b>	Normal operating range 0-75°C.



## Imperial dimensions

Bearing number	B	W	H	O	D	F	L	A	K	J	M	X	Ball dia	Maximum static radial load in pounds approx.	Weight in pounds approx.
	Bore +·0015 -·0005	Ball width +·005 -·005	Housing width +·005 -·005	Ball flat dia	Head dia +·010 -·010	Centre length +·030 -·030	+·010 -·010	Thread length +·062 -·031	+·010 -·010	+·010 -·010	Thread size UNF 2B	Angle deg.			
<b>RFP 04U</b>	·2500	·375	·311	·355	·812	1·312	·187	·750	·468	·375	·250-28	12·5	·515	950	·063
<b>RFP 05U</b>	·3125	·437	·374	·447	1·000	1·375	·187	·750	·500	·437	·312-24	10·5	·625	1,800	·093
<b>RFP 06U</b>	·3750	·500	·436	·517	1·125	1·625	·250	·937	·687	·562	·375-24	9·0	·718	2,400	·155
<b>RFP 08U</b>	·5000	·625	·530	·698	1·375	2·125	·250	1·187	·875	·750	·500-20	9·0	·937	3,500	·313

For left hand thread insert 'L' in bearing number, eg. RFLP 06U.